

HW3700 VENT WINDOW

INSTALLATION INSTRUCTIONS

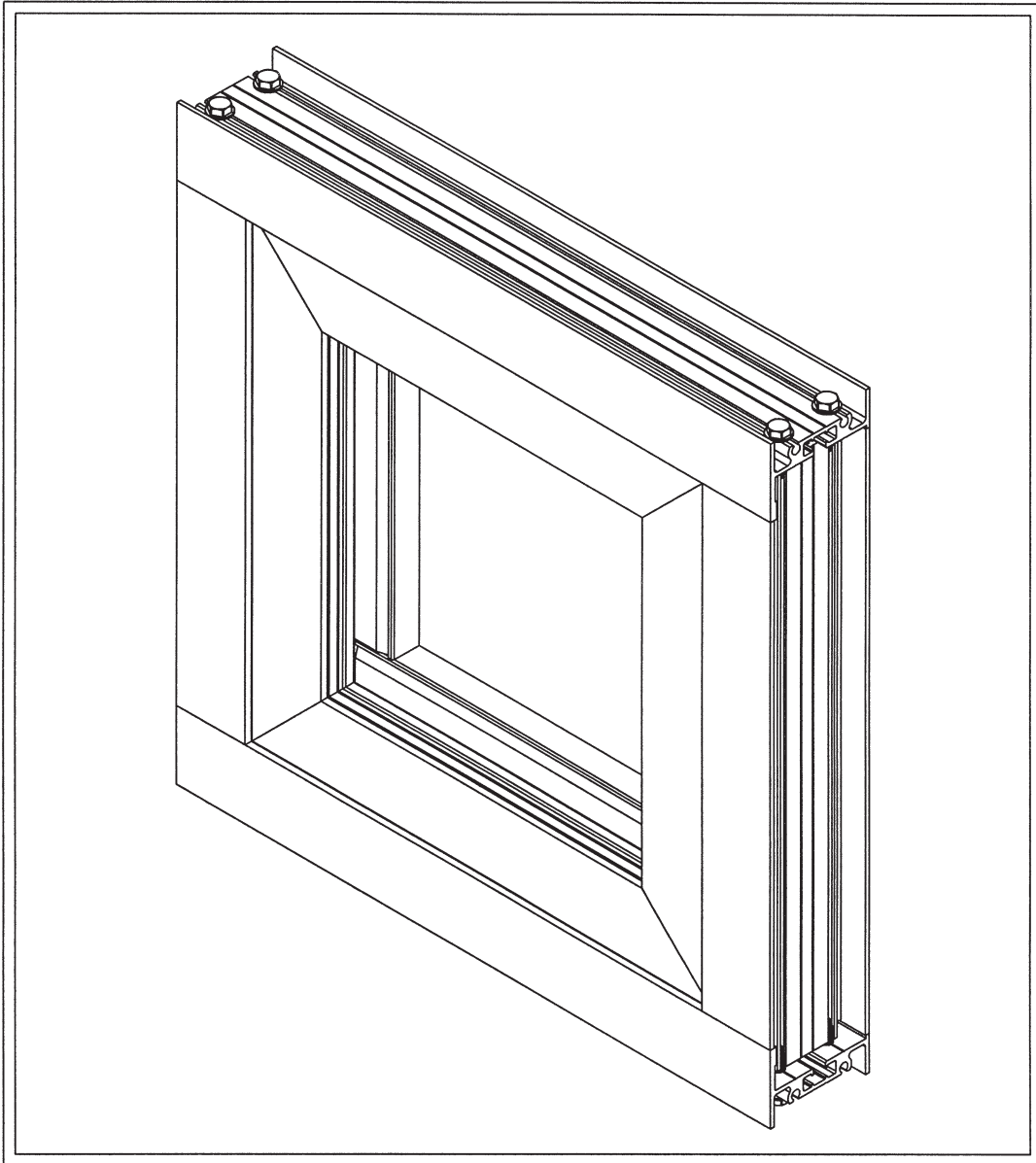
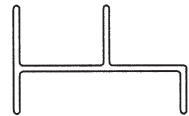


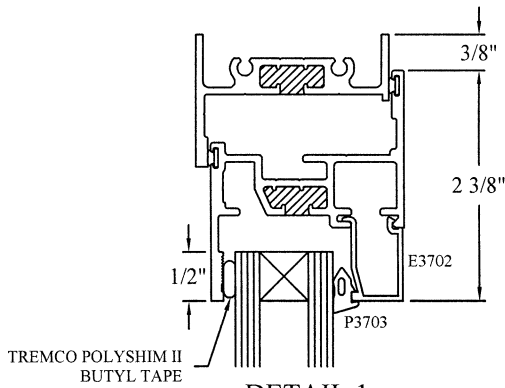
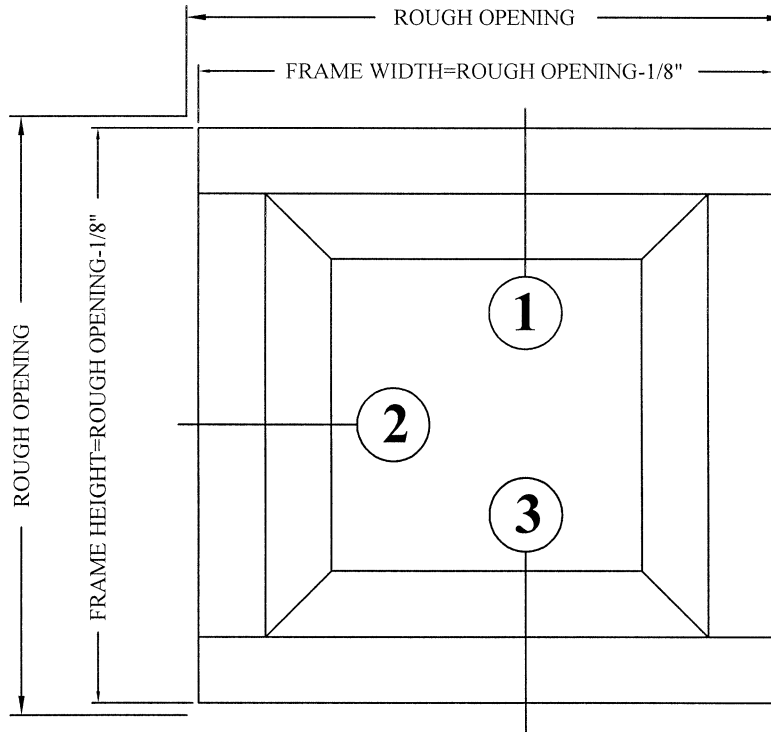
TABLE OF CONTENTS

| Page | Description |
|-------------|---------------------------|
| 1 | Parts List |
| 2 | Typical Elevation |
| 3 | Typical Installation |
| 4 | Typical Installation |
| 5 | 14000 Series Installation |
| 6 | 14000 Series Installation |
| 7 | Curtainwall Installation |
| 8 | Curtinawall Installation |
| 9 | Mulled Windows |

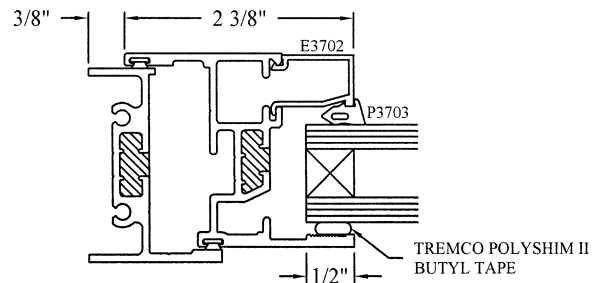
PARTS LIST

| | Description | Part Number |
|---|--|-------------|
|  | Vent Window Glass Stop | E3702 |
|  | Vent Window Wedge Gasket | P3703 |
|  | 14000 Series Adapter | P3707 |
|  | 200cw/400cw Adapter | P3708 |
|  | "H" Adapter For Muller Windows | P3703 |
|  | Butyl Glazing Tape Tremco Polyshim II or .150" Thick with 1/8" Shim Equivalent | |
|  | Glass Setting Block 1/4" x 1" x 4" | |

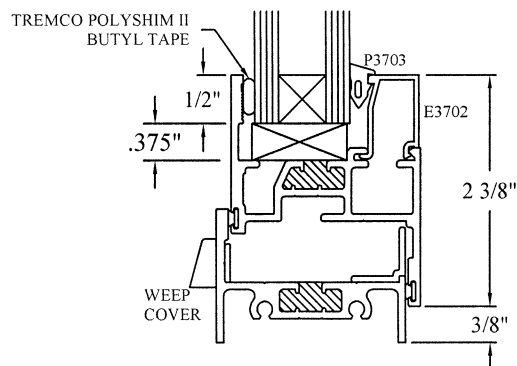
TYPICAL ELEVATION



DETAIL 1
HALF SCALE

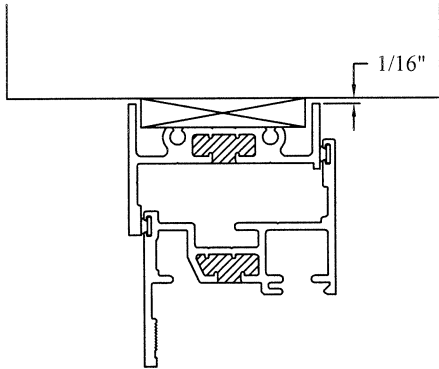


DETAIL 2
HALF SCALE

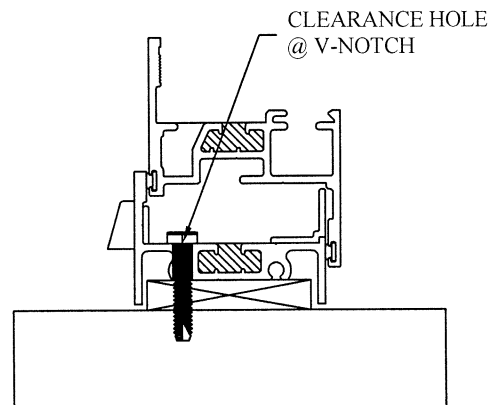
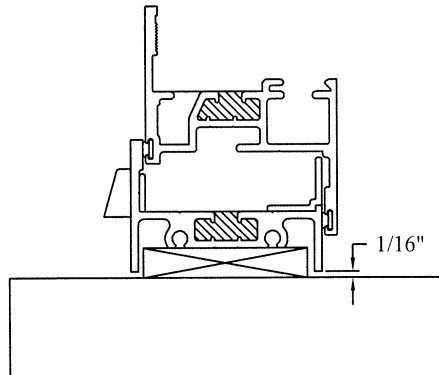


DETAIL 3
HALF SCALE

TYPICAL INSTALLATION

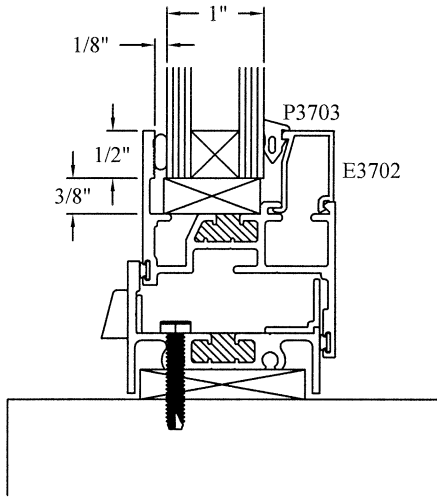


- 1) POSITION WINDOW IN OPENING - SHIM AS REQUIRED SO THAT WINDOW IS PLUM, LEVEL, AND SQUARE.

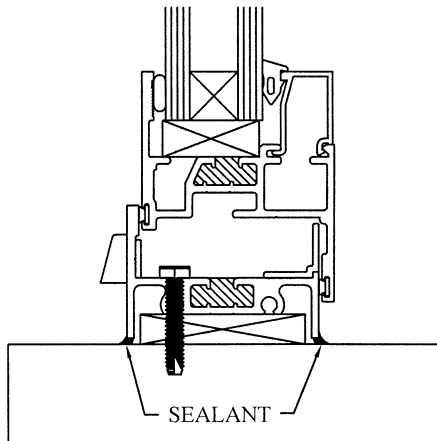


- 2) SECURE WINDOW IN PLACE - DRILL $\varnothing.201$ CLEARANCE HOLES FOR #10 SCREW.
A) 6" MAX FROM EACH CORNER
B) 12" O.C.
USE APPROPRIATE TYPE OF #10 FASTENER AND SECURE WINDOW TO STRUCTURE. SEAL ALL FASTENER HEADS.

TYPICAL INSTALLATION

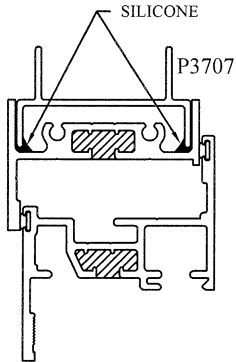


- 3) INSTALL GLASS INTO WINDOW FRAME - APPLY BUTYL GLAZING TAPE TO INSIDE OF WINDOW FRAME LEG. USE TREMCO POLYSHIM II GLAZING TAPE OR .150" THICK WITH 1/8" SHIM EQUIVALENT. PLACE SETTING BLOCKS IN FRAME AND INSTALL GLASS. GLASS SIZE SHOULD BE : **DLO + 1"** WITH GLASS IN PLACE, SNAP IN (4) E3702 GLASS STOPS. AFTER INSTALLING STOPS, PRESS P3703 GASKET INTO PLACE AND SEAL CORNERS.

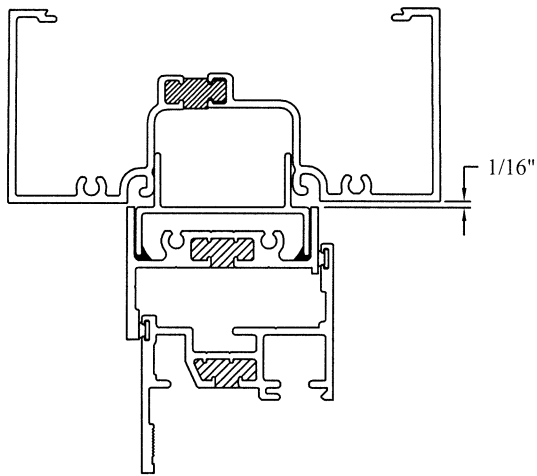


- 4) SEAL ENTIRE INTERIOR AND EXTERIOR PERIMETERS OF WINDOW FRAME TO THE STRUCTURE WITH APPROPRIATE SEALANT.

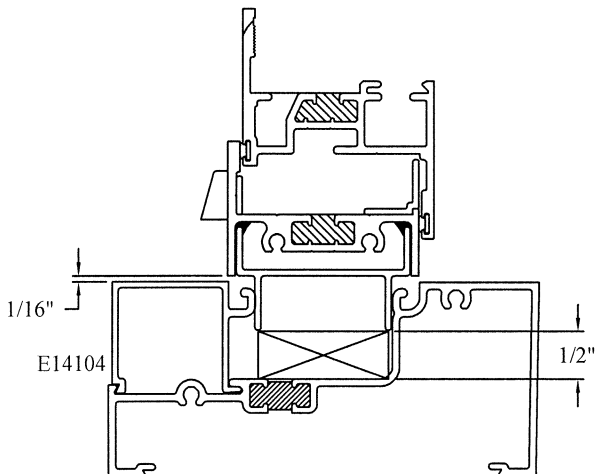
14000 SERIES INSTALLATION



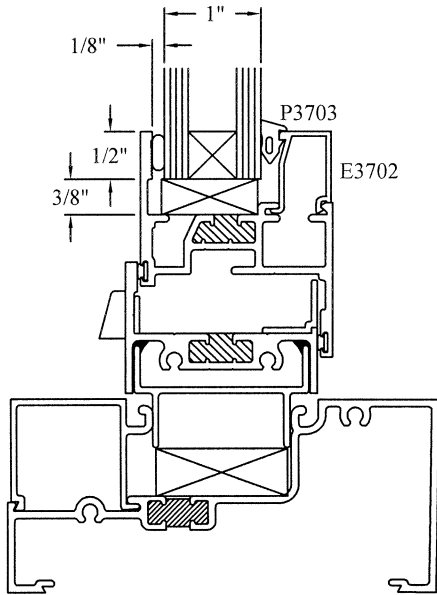
- 1) APPLY P3707 ADAPTER TO HEAD AND SILL MEMBERS OF WINDOW USING SILICONE.



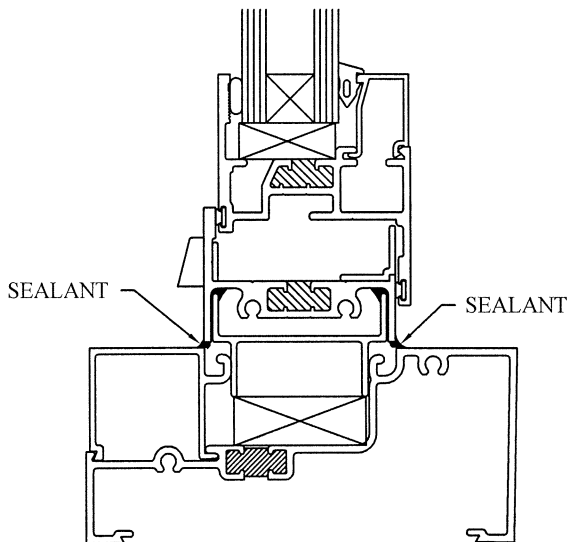
- 2) POSITION WINDOW IN OPENING - SLIDE P3707 AT HEAD OF WINDOW INTO GLAZING POCKET OF 14000 SERIES FRAME. SWING BOTTOM OF WINDOW INTO PLACE AND SET ON SETTING BLOCKS. SNAP 14000 FRAMING GLASS STOP (E14104) INTO PLACE.



14000 SERIES INSTALLATION

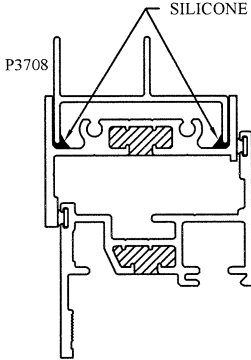


- 3) INSTALL GLASS INTO WINDOW FRAME - APPLY BUTYL GLAZING TAPE TO INSIDE OF WINDOW FRAME LEG. USE TREMCO POLYSHIM II GLAZING TAPE OR .150" THICK WITH 1/8" SHIM EQUIVALENT. PLACE SETTING BLOCKS IN FRAME AND INSTALL GLASS. GLASS SIZE SHOULD BE : **DLO + 1"** WITH GLASS IN PLACE, SNAP IN (4) E3702 GLASS STOPS. AFTER INSTALLING STOPS, PRESS P3703 GASKET INTO PLACE AND SEAL CORNERS.

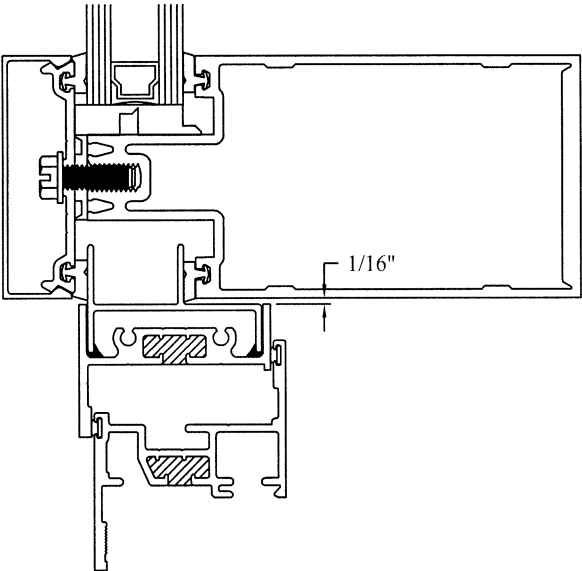


- 4) SEAL ENTIRE INTERIOR AND EXTERIOR PERIMETERS OF WINDOW FRAME TO THE 14000 FRAMING WITH APPROPRIATE SEALANT.

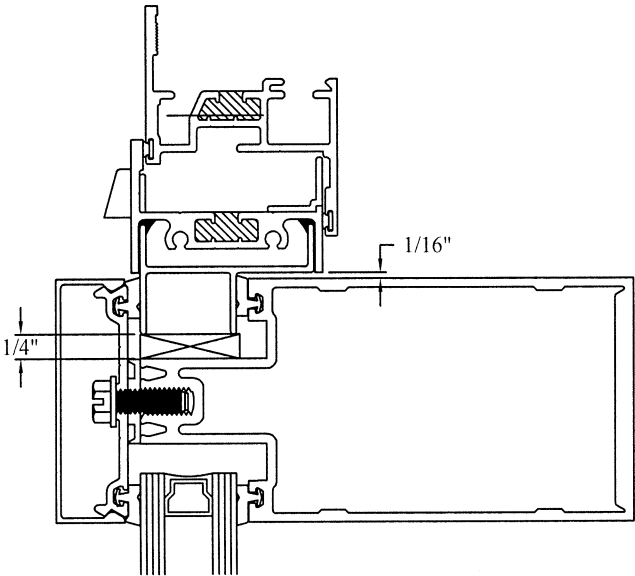
CURTAINWALL INSTALLATION



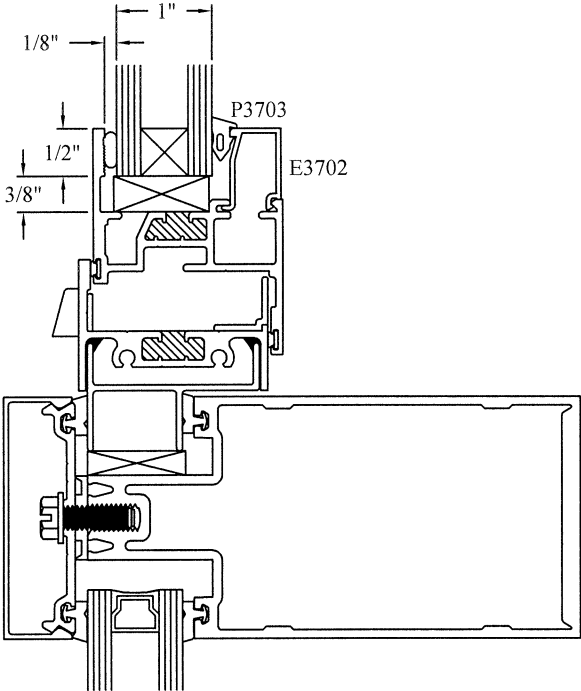
- 1) APPLY P3708 ADAPTER TO HEAD AND SILL MEMBERS OF WINDOW USING SILICONE.



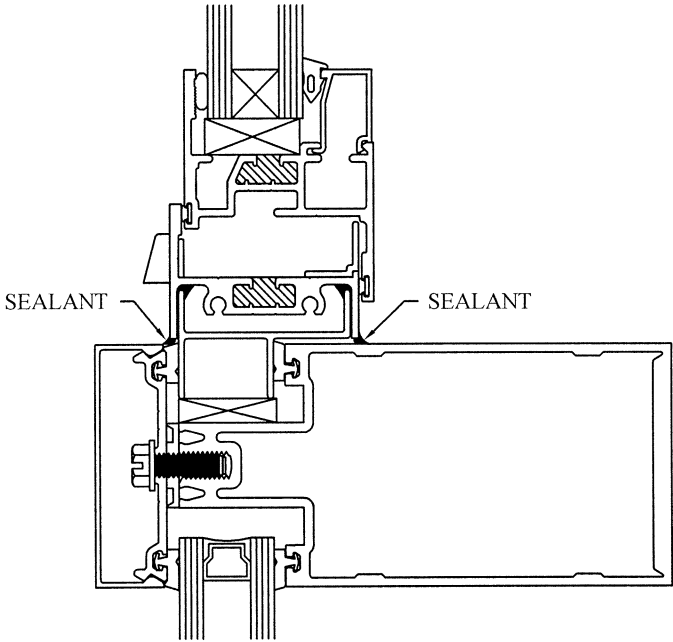
- 2) POSITION WINDOW IN OPENING - FOLLOW CURTAINWALL INSTRUCTIONS FOR INSTALLING WINDOW IN PLACE OF GLASS. INSTALL PRESSURE PLATE AND SNAP COVER PER CURTAINWALL INSTRUCTIONS..



CURTAINWALL INSTALLATION

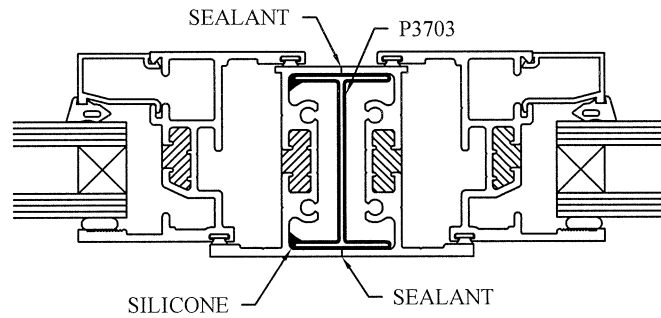


- 3) INSTALL GLASS INTO WINDOW FRAME - APPLY BUTYL GLAZING TAPE TO INSIDE OF WINDOW FRAME LEG. USE TREMCO POLYSHIM II GLAZING TAPE OR .150" THICK WITH 1/8" SHIM EQUIVALENT. PLACE SETTING BLOCKS IN FRAME AND INSTALL GLASS. GLASS SIZE SHOULD BE : **DLO + 1"** WITH GLASS IN PLACE, SNAP IN (4) E3702 GLASS STOPS. AFTER INSTALLING STOPS, PRESS P3703 GASKET INTO PLACE AND SEAL CORNERS.



- 4) SEAL ENTIRE INTERIOR AND EXTERIOR PERIMETERS OF WINDOW FRAME TO THE CURTAINWALL FRAMING WITH APPROPRIATE SEALANT.

MULLED WINDOWS INSTALLATION



- 1) APPLY ADAPTER P3703 TO JAMB OF ONE WINDOW FRAME USING SILICONE. SLIDE SECOND WINDOW FRAME ONTO P3703. APPLY BEAD OF SEALANT DOWN THE ADJOINING EDGES OF THE WINDOW FRAMES. PUSH WINDOWS TIGHT TOGETHER AND REMOVE EXCESS SEALANT.